

<THESE INSTRUCTIONS MUST BE GIVEN TO THE END USER>



B&W Trailer Hitches
1216 Hawaii Rd / PO Box 186
Humboldt, KS 66748
P:800.248.6564
F:620.869.9031

See Limited Lifetime Warranty at
bwtrailerhitches.com/warranty

Call or Email us for
Installation Support
hitches@turnoverball.com
bwtrailerhitches.com

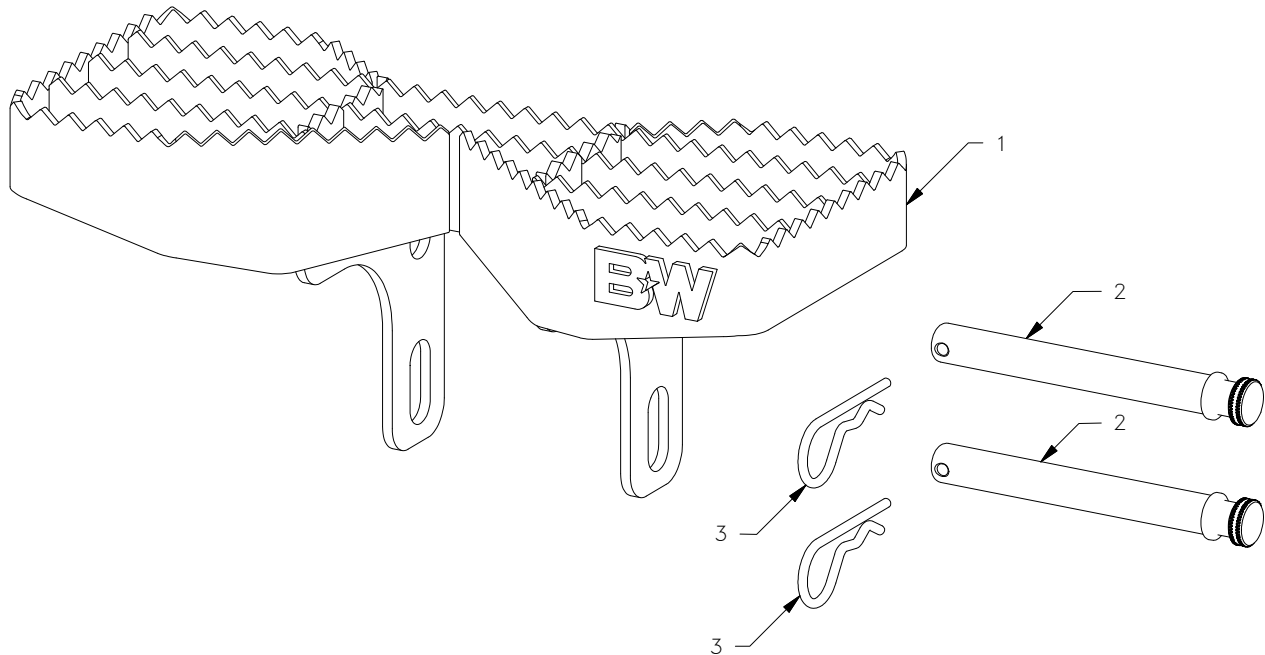
Tow & Stow® Step Accessory Installation Instructions

MODEL TS35050

MAXIMUM WEIGHT RATING 400 LBS

FITS ALL 2" AND 2-1/2" SHANK B&W TOW & STOW PRODUCTS
NOT COMPATIBLE WITH B&W PINTLE HITCH.

PARTS LIST		
ITEM	DESCRIPTION	QTY
1	Tow & Stow Step	1
2	Long Stainless Steel Pin	2
3	3/4" Cotter Pin	2



WARNING

Failure to comply with the safety information in these instructions could result in serious injury or death.

- !** Read all installation and operating instructions along with all labels before using this product.
- !** Do not modify this product in any manner. Doing so could alter its integrity and cause it not to function properly.
- !** Do not attach any safety chains, tow hooks, ropes, or cables to any part of the step.
- !** Always use appropriate hand holds when stepping up to or down from your vehicle.
- !** This product is exclusively intended for use as a stepping aid. Under no circumstances should this product be used for any purpose other than as a stepping aid. Misuse or repurposing of the step may have unpredictable and dangerous results.
- !** Do not exceed the weight rating of the step, the step is designed to be used by one person at a time.

PREPARE TO INSTALL

1. **Compatibility:** This product is designed to accommodate 2" and 2-1/2" shank B&W Tow & Stow products. Not compatible with B&W pintle hitch.
2. **Identify step mounting location:** The step is designed to install over the swing arm. The top hole will install over the top swing arm pin hole, and the bottom slot will install over the bottom swing arm pin hole, see Figure A1.

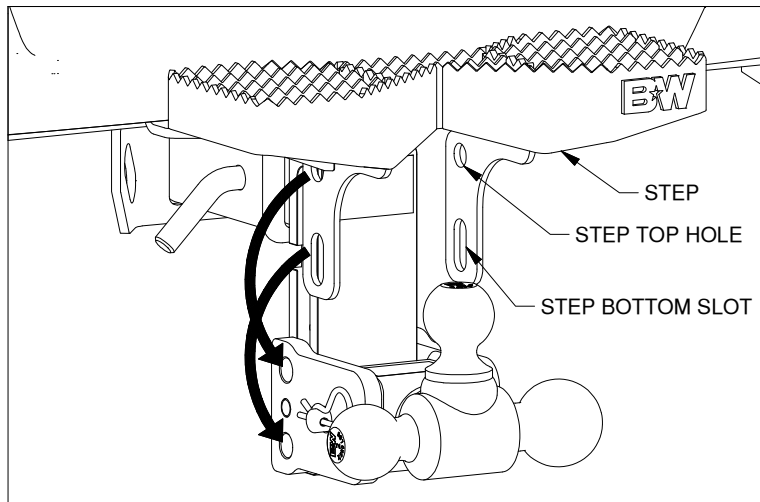


Figure A1: Tow & Stow and step.

⚠ WARNING: The step must be installed over the swing arm. Pinning the step to the Tow & Stow in any other location may result in serious injury.

INSTALL STEP ACCESSORY

1. **Remove the swing arm pins:** While holding onto the swing arm, unclip and remove the two pins which hold the swing arm to the pin block, see Figure B1. These shorter pins (5.2" long) will be replaced by longer pins that come with the step (5.66" long). Carefully let the swing arm down so it hangs under the pin block.

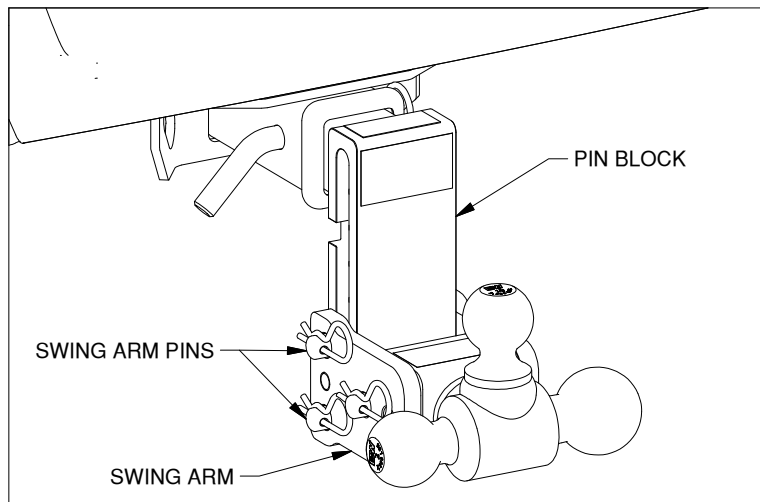


Figure B1: Tow & Stow, TS10048B shown.

2. **Prepare the step:** With the swing arm pins removed and the swing arm hanging freely, place the step over the swing arm and insert the long pins through one side of both the step and the swing arm to hold them together, as shown in Figure B2.

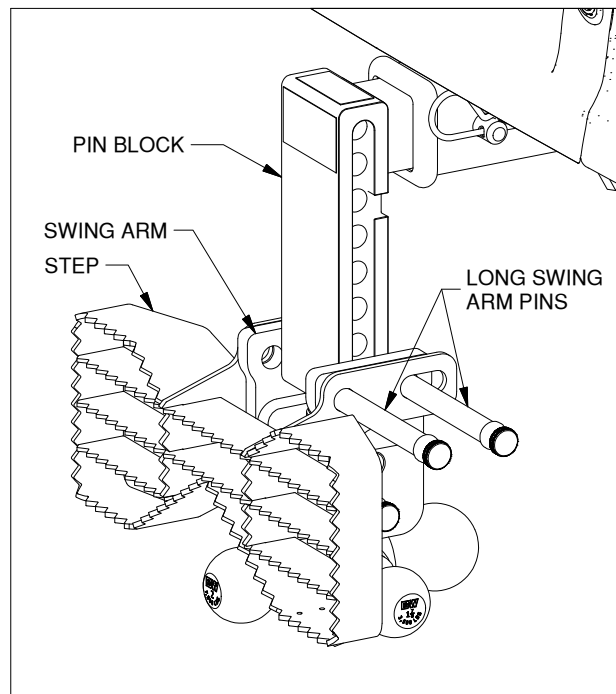


Figure B2: Long pin placement.

3. **Position the step:** Move the step and swing arm to the desired pin block hole location, push the long pins all the way through the pin block. Secure each pin with a cotter pin, see Figure B3.

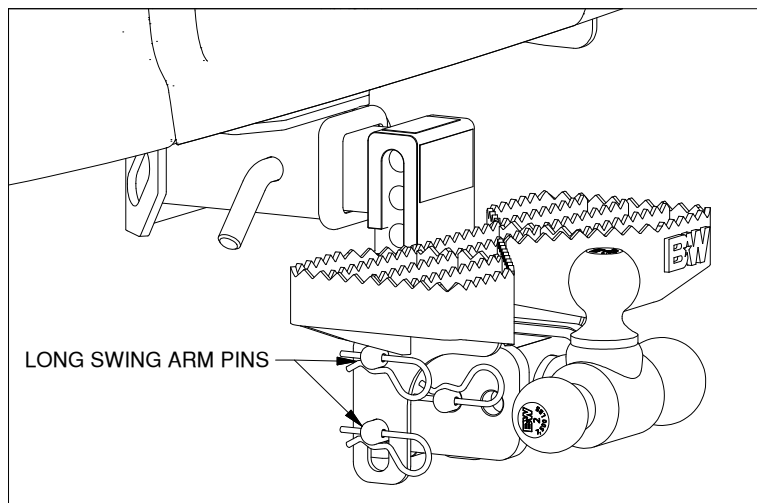


Figure B3: Typical step installation.

NOTICE: It is possible to place the Tow & Stow and/or the step in the stowed position under the receiver. If placed in this position the step will be upside down and must not be used as a step.

⚠ WARNING: The step is not designed to be used upside down when in the stow position. Using the step while upside down may cause serious injury.